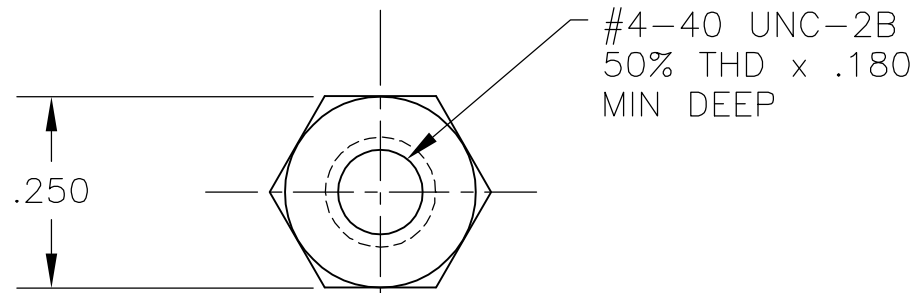
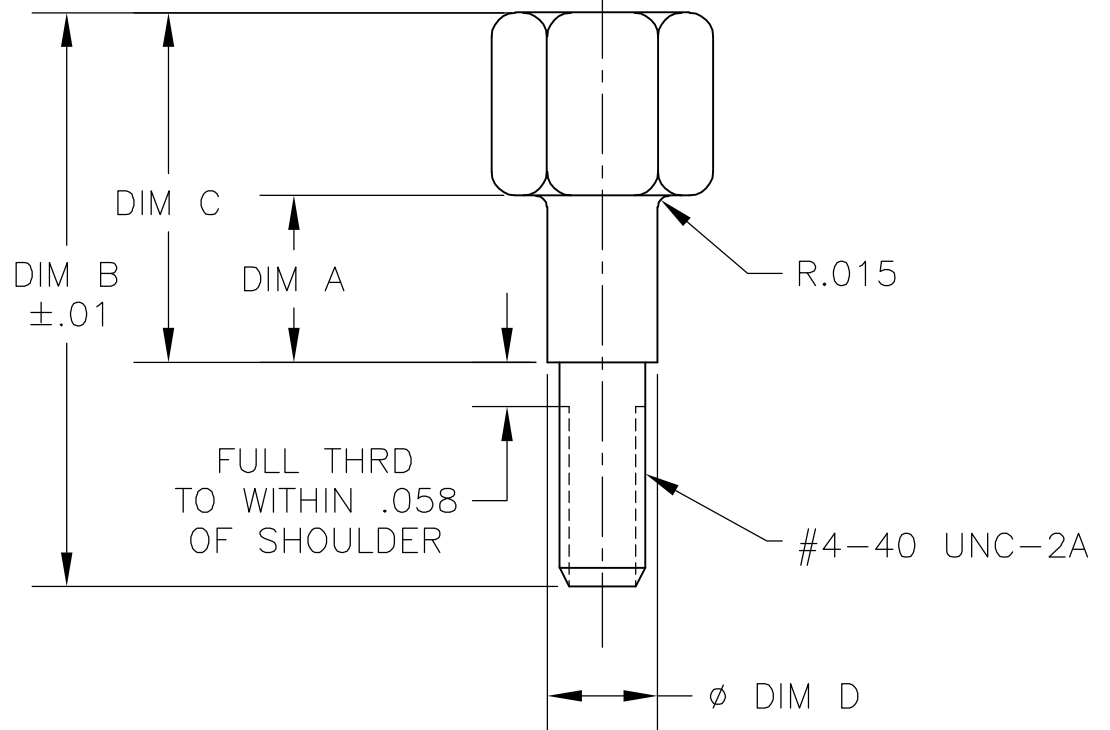


THIS DRAWING IS UNPUBLISHED. RELEASED FOR PUBLICATION
 © COPYRIGHT 2005 BY TYCO ELECTRONICS CORPORATION. ALL RIGHTS RESERVED.

LOC	DIST	REVISIONS					
GP	00	P	LTR	DESCRIPTION	DATE	DWN	APVD
			0	RELEASED PER EC OS13-0288-05	05OCT05	GP	JG



1 MATERIAL: CARBON STEEL, ZINC PLATE WITH YELLOW TRIVALENT CHROMATE.



.138-.144	.347	.64	.108	5229995-2
.138-.144	.457	.75	.218	5229995-1
φ DIM D	DIM C	DIM B	DIM A	PART NO.

THIS DRAWING IS A CONTROLLED DOCUMENT.		DWN	G.PETERS	05OCT05	 Tyco Electronics Corporation Harrisburg, Pa 17105-3608											
DIMENSIONS: INCHES		CHK	W.MILLHIMES	05OCT05												
TOLERANCES UNLESS OTHERWISE SPECIFIED:		APVD	M.WALMSLEY	05OCT05												
<table border="1"> <tr><td>0 PLC</td><td>± -</td></tr> <tr><td>1 PLC</td><td>± -</td></tr> <tr><td>2 PLC</td><td>± -</td></tr> <tr><td>3 PLC</td><td>± .005</td></tr> <tr><td>4 PLC</td><td>± -</td></tr> <tr><td>ANGLES</td><td>± -</td></tr> </table>		0 PLC	± -	1 PLC		± -	2 PLC	± -	3 PLC	± .005	4 PLC	± -	ANGLES	± -	NAME	
0 PLC	± -															
1 PLC	± -															
2 PLC	± -															
3 PLC	± .005															
4 PLC	± -															
ANGLES	± -															
MATERIAL	FINISH	PRODUCT SPEC	APPLICATION SPEC		RESTRICTED TO											
1	1	—	—		—											
CUSTOMER DRAWING		WEIGHT	—		—											
SCALE		SIZE		CAGE CODE	DRAWING NO											
4:1		A3		00779	C-5229995											
SHEET		OF		REV												
1		1		0												